



MECHANIK

Wärmeleit-, Isolier- und Montagescheiben

aus Aluminiumoxid



<p>ALO-TO127</p> <table border="1"> <thead> <tr> <th colspan="2">Dicke</th> </tr> </thead> <tbody> <tr> <td>- 16</td> <td>1,6 mm</td> </tr> <tr> <td>- 25</td> <td>2,5 mm</td> </tr> <tr> <td>- 30</td> <td>3,0 mm</td> </tr> <tr> <td>- 30 U</td> <td>3,0 mm</td> </tr> <tr> <td>- 40 U</td> <td>4,0 mm</td> </tr> </tbody> </table>	Dicke		- 16	1,6 mm	- 25	2,5 mm	- 30	3,0 mm	- 30 U	3,0 mm	- 40 U	4,0 mm	<p>ALO-TOP3 (ALO-GS3P)</p> <table border="1"> <thead> <tr> <th colspan="2">Dicke</th> </tr> </thead> <tbody> <tr> <td>- 1.0</td> <td>1,0 mm</td> </tr> <tr> <td>- 1.5</td> <td>1,5 mm</td> </tr> <tr> <td>- 3.0</td> <td>3,0 mm</td> </tr> <tr> <td>- 4.5</td> <td>4,5 mm</td> </tr> <tr> <td>- 2.0</td> <td>2,0 mm</td> </tr> </tbody> </table>	Dicke		- 1.0	1,0 mm	- 1.5	1,5 mm	- 3.0	3,0 mm	- 4.5	4,5 mm	- 2.0	2,0 mm																																	
Dicke																																																										
- 16	1,6 mm																																																									
- 25	2,5 mm																																																									
- 30	3,0 mm																																																									
- 30 U	3,0 mm																																																									
- 40 U	4,0 mm																																																									
Dicke																																																										
- 1.0	1,0 mm																																																									
- 1.5	1,5 mm																																																									
- 3.0	3,0 mm																																																									
- 4.5	4,5 mm																																																									
- 2.0	2,0 mm																																																									
<p>ALO-TO218</p> <table border="1"> <thead> <tr> <th colspan="2">Dicke</th> </tr> </thead> <tbody> <tr> <td>- 3.0</td> <td>3,0 mm</td> </tr> <tr> <td>- 3.0 U</td> <td>3,0 mm</td> </tr> </tbody> </table>	Dicke		- 3.0	3,0 mm	- 3.0 U	3,0 mm	<p>ALO-TO247</p> <table border="1"> <thead> <tr> <th colspan="2">Dicke</th> </tr> </thead> <tbody> <tr> <td>- 1.4 UX</td> <td>1,4 mm</td> </tr> <tr> <td>- 1.5 X</td> <td>1,5 mm</td> </tr> </tbody> </table>	Dicke		- 1.4 UX	1,4 mm	- 1.5 X	1,5 mm	<p>ALO-SOT32A</p> <table border="1"> <thead> <tr> <th colspan="2">Dicke</th> </tr> </thead> <tbody> <tr> <td>- 0.85</td> <td>0,85 mm</td> </tr> <tr> <td>- 1.5</td> <td>1,5 mm</td> </tr> <tr> <td>- 2.0</td> <td>2,0 mm</td> </tr> <tr> <td>- 2.5</td> <td>2,5 mm</td> </tr> <tr> <td>- 3.0</td> <td>3,0 mm</td> </tr> </tbody> </table>	Dicke		- 0.85	0,85 mm	- 1.5	1,5 mm	- 2.0	2,0 mm	- 2.5	2,5 mm	- 3.0	3,0 mm																																
Dicke																																																										
- 3.0	3,0 mm																																																									
- 3.0 U	3,0 mm																																																									
Dicke																																																										
- 1.4 UX	1,4 mm																																																									
- 1.5 X	1,5 mm																																																									
Dicke																																																										
- 0.85	0,85 mm																																																									
- 1.5	1,5 mm																																																									
- 2.0	2,0 mm																																																									
- 2.5	2,5 mm																																																									
- 3.0	3,0 mm																																																									
<p>ALO-TO220A</p> <table border="1"> <thead> <tr> <th colspan="2">Dicke</th> </tr> </thead> <tbody> <tr> <td>- 1.0</td> <td>1,0 mm</td> </tr> <tr> <td>- 1.5</td> <td>1,5 mm</td> </tr> <tr> <td>- 2.0</td> <td>2,0 mm</td> </tr> <tr> <td>- 2.5</td> <td>2,5 mm</td> </tr> <tr> <td>- 3.0</td> <td>3,0 mm</td> </tr> </tbody> </table>	Dicke		- 1.0	1,0 mm	- 1.5	1,5 mm	- 2.0	2,0 mm	- 2.5	2,5 mm	- 3.0	3,0 mm	<p>ALO-TO220B</p> <table border="1"> <thead> <tr> <th colspan="2">Dicke</th> </tr> </thead> <tbody> <tr> <td>- 2.54</td> <td>2,54 mm</td> </tr> <tr> <td>- 3.0</td> <td>3,0 mm</td> </tr> </tbody> </table>	Dicke		- 2.54	2,54 mm	- 3.0	3,0 mm	<p>* ALO-TO220C</p> <table border="1"> <thead> <tr> <th colspan="2">Dicke</th> </tr> </thead> <tbody> <tr> <td>- 1.5</td> <td>1,5 mm</td> </tr> <tr> <td>- 2.0 U</td> <td>2,0 mm</td> </tr> <tr> <td>- 3.0</td> <td>3,0 mm</td> </tr> <tr> <td>- 4.5</td> <td>4,5 mm</td> </tr> </tbody> </table>	Dicke		- 1.5	1,5 mm	- 2.0 U	2,0 mm	- 3.0	3,0 mm	- 4.5	4,5 mm																												
Dicke																																																										
- 1.0	1,0 mm																																																									
- 1.5	1,5 mm																																																									
- 2.0	2,0 mm																																																									
- 2.5	2,5 mm																																																									
- 3.0	3,0 mm																																																									
Dicke																																																										
- 2.54	2,54 mm																																																									
- 3.0	3,0 mm																																																									
Dicke																																																										
- 1.5	1,5 mm																																																									
- 2.0 U	2,0 mm																																																									
- 3.0	3,0 mm																																																									
- 4.5	4,5 mm																																																									
<p>ALO-TO220D</p> <table border="1"> <thead> <tr> <th colspan="2">Dicke</th> </tr> </thead> <tbody> <tr> <td>- 1.0</td> <td>1,0 mm</td> </tr> <tr> <td>- 1.5</td> <td>1,5 mm</td> </tr> <tr> <td>- 2.0</td> <td>2,0 mm</td> </tr> <tr> <td>- 2.5 U</td> <td>2,5 mm</td> </tr> <tr> <td>- 3.0</td> <td>3,0 mm</td> </tr> <tr> <td>- 3.0 U</td> <td>3,0 mm</td> </tr> <tr> <td>- 4.5</td> <td>4,5 mm</td> </tr> <tr> <td>- 1.5 U</td> <td>1,5 mm</td> </tr> </tbody> </table>	Dicke		- 1.0	1,0 mm	- 1.5	1,5 mm	- 2.0	2,0 mm	- 2.5 U	2,5 mm	- 3.0	3,0 mm	- 3.0 U	3,0 mm	- 4.5	4,5 mm	- 1.5 U	1,5 mm	<p>ALO-TO220E</p> <table border="1"> <thead> <tr> <th colspan="2">Dicke</th> </tr> </thead> <tbody> <tr> <td>- 1.5</td> <td>1,5 mm</td> </tr> <tr> <td>- 1.6</td> <td>1,6 mm</td> </tr> <tr> <td>- 2.0</td> <td>2,0 mm</td> </tr> <tr> <td>- 2.5</td> <td>2,5 mm</td> </tr> <tr> <td>- 3.0 U</td> <td>3,0 mm</td> </tr> <tr> <td>- 3.5</td> <td>3,5 mm</td> </tr> <tr> <td>- 3.0</td> <td>3,0 mm</td> </tr> <tr> <td>- 1.6 U</td> <td>1,6 mm</td> </tr> <tr> <td>- 1.0 U</td> <td>1,0 mm</td> </tr> <tr> <td>- 4.0 U</td> <td>4,0 mm</td> </tr> </tbody> </table>	Dicke		- 1.5	1,5 mm	- 1.6	1,6 mm	- 2.0	2,0 mm	- 2.5	2,5 mm	- 3.0 U	3,0 mm	- 3.5	3,5 mm	- 3.0	3,0 mm	- 1.6 U	1,6 mm	- 1.0 U	1,0 mm	- 4.0 U	4,0 mm	<p>** ALO-TO220F</p> <table border="1"> <thead> <tr> <th colspan="2">Dicke</th> </tr> </thead> <tbody> <tr> <td>- 2.0</td> <td>2,0 mm</td> </tr> <tr> <td>- 4.0</td> <td>4,0 mm</td> </tr> <tr> <td>- 6.0</td> <td>6,0 mm</td> </tr> <tr> <td>- 3.0</td> <td>3,0 mm</td> </tr> <tr> <td>- 1.5</td> <td>1,5 mm</td> </tr> <tr> <td>- 2.5</td> <td>2,5 mm</td> </tr> <tr> <td>- 1.0</td> <td>1,0 mm</td> </tr> </tbody> </table>	Dicke		- 2.0	2,0 mm	- 4.0	4,0 mm	- 6.0	6,0 mm	- 3.0	3,0 mm	- 1.5	1,5 mm	- 2.5	2,5 mm	- 1.0	1,0 mm
Dicke																																																										
- 1.0	1,0 mm																																																									
- 1.5	1,5 mm																																																									
- 2.0	2,0 mm																																																									
- 2.5 U	2,5 mm																																																									
- 3.0	3,0 mm																																																									
- 3.0 U	3,0 mm																																																									
- 4.5	4,5 mm																																																									
- 1.5 U	1,5 mm																																																									
Dicke																																																										
- 1.5	1,5 mm																																																									
- 1.6	1,6 mm																																																									
- 2.0	2,0 mm																																																									
- 2.5	2,5 mm																																																									
- 3.0 U	3,0 mm																																																									
- 3.5	3,5 mm																																																									
- 3.0	3,0 mm																																																									
- 1.6 U	1,6 mm																																																									
- 1.0 U	1,0 mm																																																									
- 4.0 U	4,0 mm																																																									
Dicke																																																										
- 2.0	2,0 mm																																																									
- 4.0	4,0 mm																																																									
- 6.0	6,0 mm																																																									
- 3.0	3,0 mm																																																									
- 1.5	1,5 mm																																																									
- 2.5	2,5 mm																																																									
- 1.0	1,0 mm																																																									

* auch mit Loch \varnothing 4 mm in Dicke 1,5 mm lieferbar

** auch ohne Loch in Dicke 1,0 / 2,0 / 3,0 / 4,0 / 5,0 mm lieferbar

Sonderformate und Sonderausführungen auf Anfrage. Rufen Sie uns an.

EL2 Vertriebsgesellschaft für Elektronik-Bauelemente und -Geräte mbH

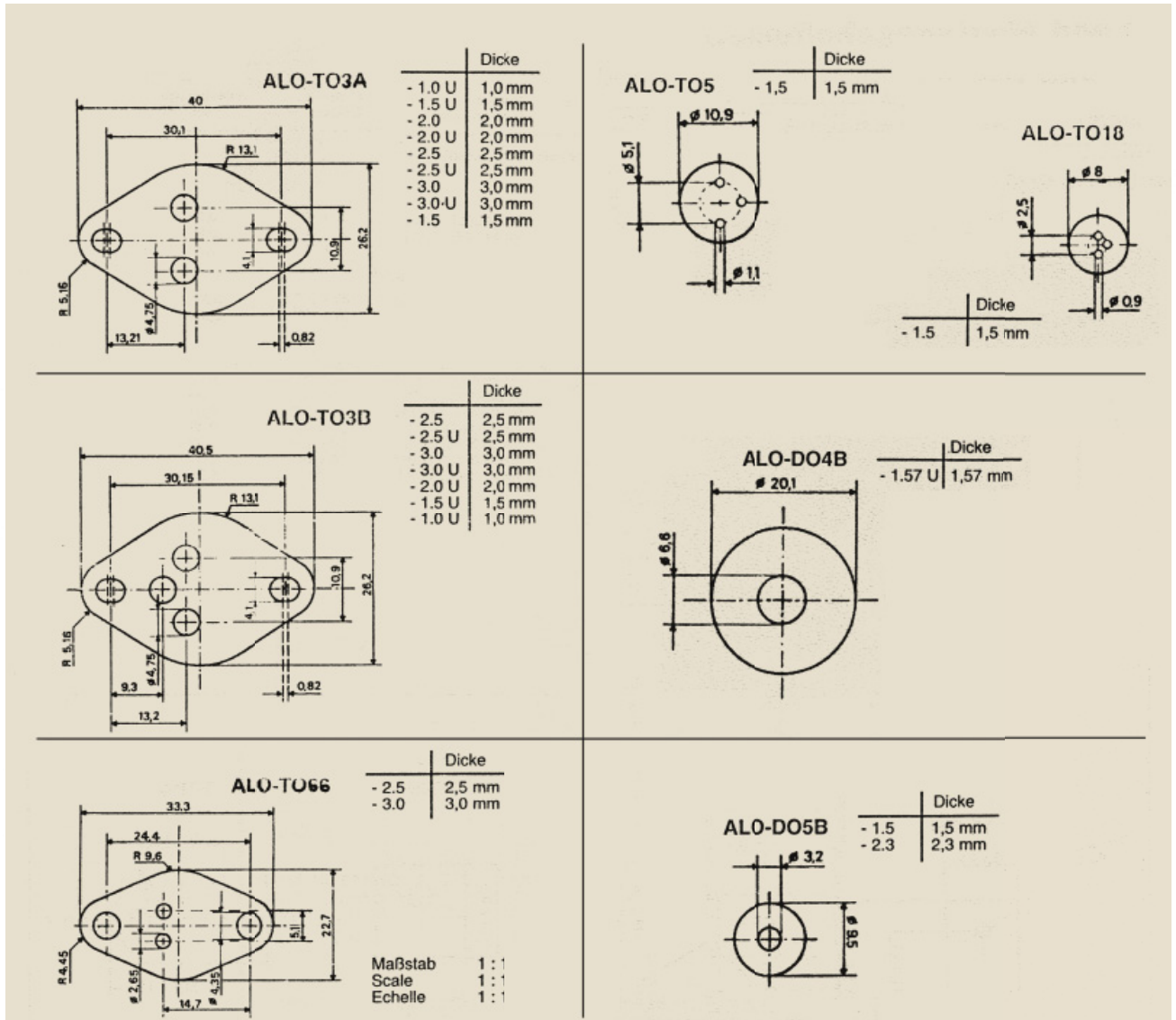
Seeßelmannsgang 12 · 21255 Tostedt · Tel. 04182-29 29 31 · Fax 04182-29 29 33 · info@el2-tostedt.de · www.el2-tostedt.de



MECHANIK

Wärmeleit-, Isolier- und Montagescheiben

aus Aluminiumoxid



U = geschliffen

Caractéristiques	Kenndaten	Characteristics	
Matière: céramique	Keramik-Werkstoff	Material: ceramics	Al ₂ O ₃
Résistivité	Spezifischer elektrischer Widerstand	Resistivity	> 10 ¹⁴ Ω / cm
Rigidité diélectrique	Durchschlagsfestigkeit	Dielectric strength	10 kV / mm
Résistance thermique	Wärmewiderstand	Thermal resistance	(AOS 3) 0,3 K / W
Conductibilité thermique	Wärmeleitfähigkeit	Thermal conductivity	25 W / m K
Coefficient de dilatation linéaire	Linearer Ausdehnungskoeffizient	Coefficient of linear expansion	-8 · 10 ⁻⁶ / K
Constante diélectrique	Dielektrizitätskonstante	Dielectric constant	9
□ Planéité	□ Ebenheit	□ Planess	0.05 mm p. 25 mm

Sonderformate und Sonderausführungen auf Anfrage. Rufen Sie uns an.



MECHANIK

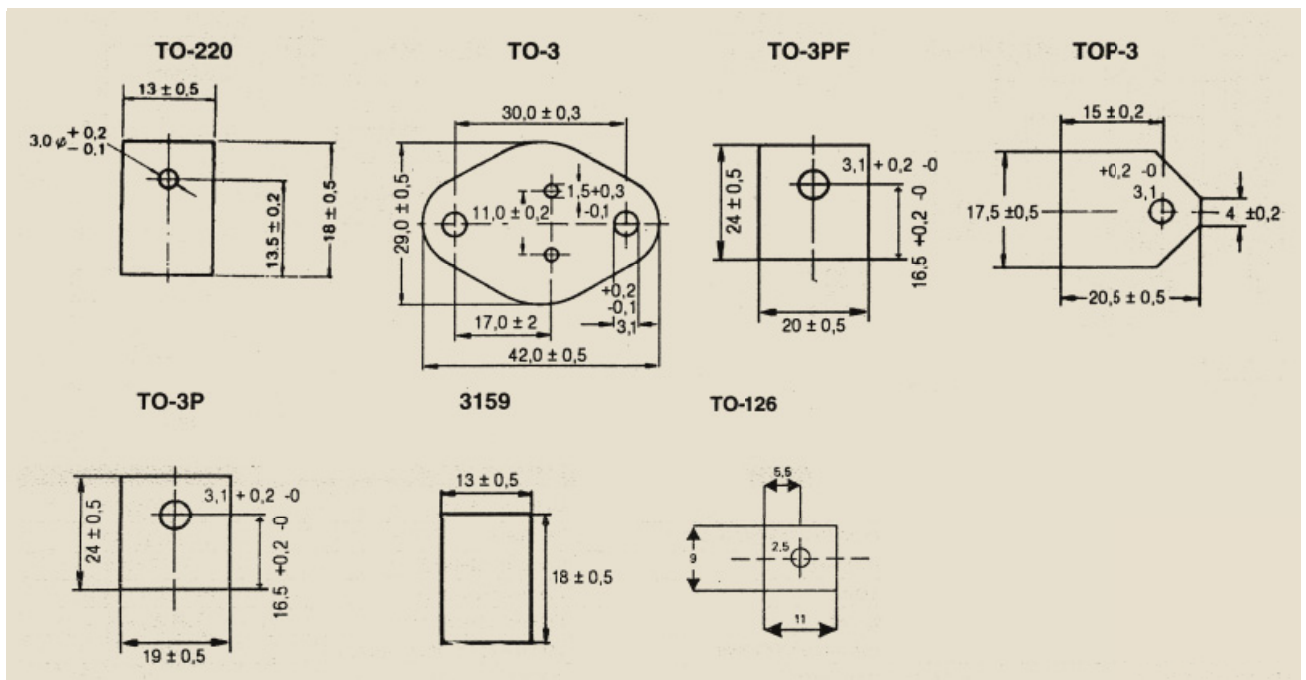
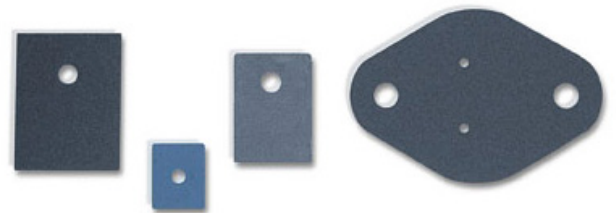
Wärmeleit-, Isolier- und Montagescheiben

aus Silicon

Silicon

Gemisch aus SILICON und AL_2O_3 -Pulver

für Gehäuse	Bestell- bezeichnung	Wärmeleitwert CAL/cm · sec	Materialstärke (mm)
ohne Glasfaser, nicht selbstklebend			
TO126	SIL30-30SN-TO126	30×10^{-4}	0,3
TO220	SIL30-30SN-TO220	30×10^{-4}	0,3
TO3PF	SIL30-30SN-TO3PF	30×10^{-4}	0,3
Glasfaserverstärkt, nicht selbstklebend			
TO220	SIL30-33GN-TO220	30×10^{-4}	0,33
TO3	SIL30-33GN-TO3	30×10^{-4}	0,33
Glasfaserverstärkt, selbstklebend			
3159	SIL30-22GA-3159	30×10^{-4}	0,22
TO220	SIL30-22GA-TO220	30×10^{-4}	0,22
TO3	SIL30-22GA-TO3	30×10^{-4}	0,22
TO3PF	SIL30-22GA-TO3PF	30×10^{-4}	0,22
3159	SIL30-33GA-3159	30×10^{-4}	0,33
TO220	SIL30-33GA-TO220	30×10^{-4}	0,33
TO3	SIL30-33GA-TO3	30×10^{-4}	0,33
TO3P	SIL30-33GA-TO3P	30×10^{-4}	0,33
TO3PF	SIL30-33GA-TO3PF	30×10^{-4}	0,33
TOP3	SIL30-33GA-TOP3	30	0,33



Sonderformate und Sonderausführungen auf Anfrage. Rufen Sie uns an.